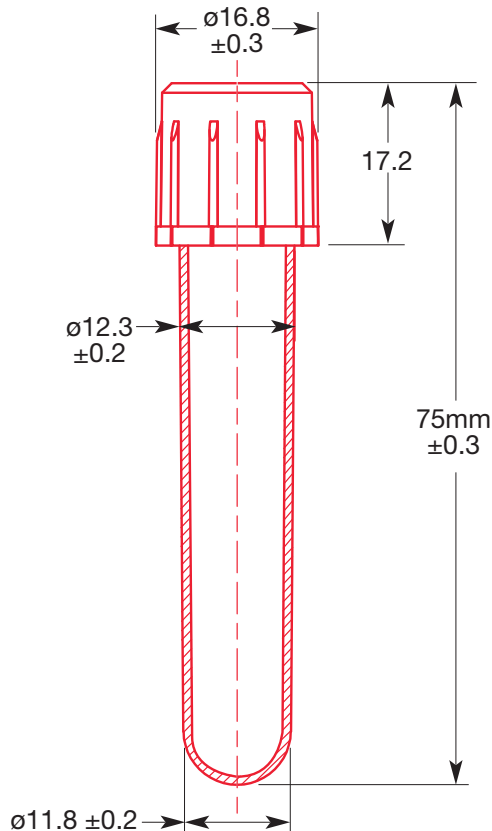


## 12 x 75mm (5mL Capacity) Screw Cap Test Tubes

Item# 6148R / 6148W



### Description

These Globe Scientific 12 x 75mm screw cap test tubes are molded from premium grade polypropylene (PP) for impact strength and stability to common acids, alkalis, and solvents. They can withstand 3000 RPM during centrifugation and are autoclavable and freezable. The screw caps come attached to the tubes and are designed to be leak-tight.

### Features

- 5mL capacity
- 12 x 75mm
- Great when dealing with aliquot sampling
- Leak-tight screw caps
- Polypropylene (PP)
- Non-graduated

### Technical Specifications

Spin Rate: 3000 RPM  
 Autoclavable: Yes  
 Brittleness temperature: 0°C  
 Maximum temperature: 135°C  
 Sterility: Non-sterile

### Products

| Item# | Description  | Unit |
|-------|--|------|
| 6148R | 5mL test tube, PP, red screw cap, 250/bag, 4 bags/case   | 1000 |
| 6148W | 5mL test tube, PP, white screw cap, 250/bag, 4 bags/case | 1000 |